



EzyJamb

Classic Adjust - EZC



A Studco Innovation



 **EZCONCEPT**

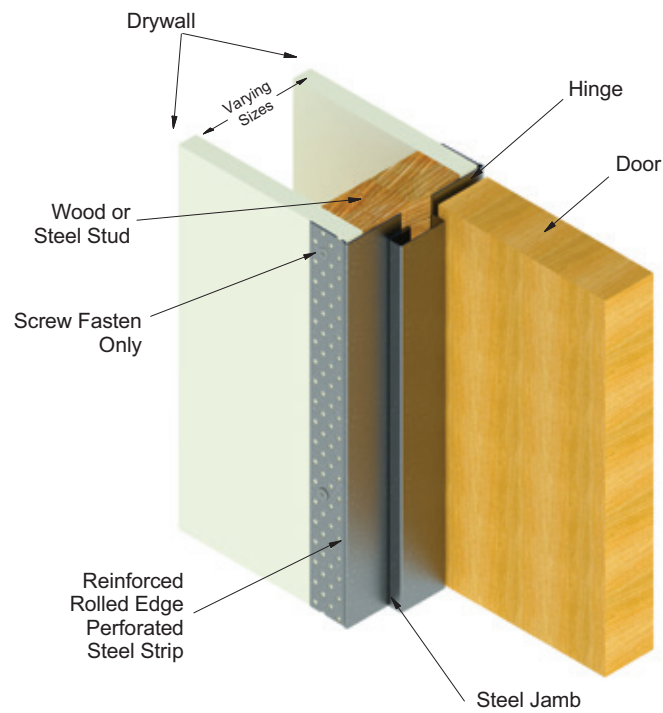
EzyJamb

Classic Adjust - EZC

Make a statement with a flush finish trimless door frame!

EzyJamb® Classic Adjust - EZC is a split type door jamb system that creates inconspicuous clean lines to complete the contemporary look of architectural spaces.

The two-piece jamb is adjustable to allow for various wall thicknesses, ensuring a smooth finish along the wall face.

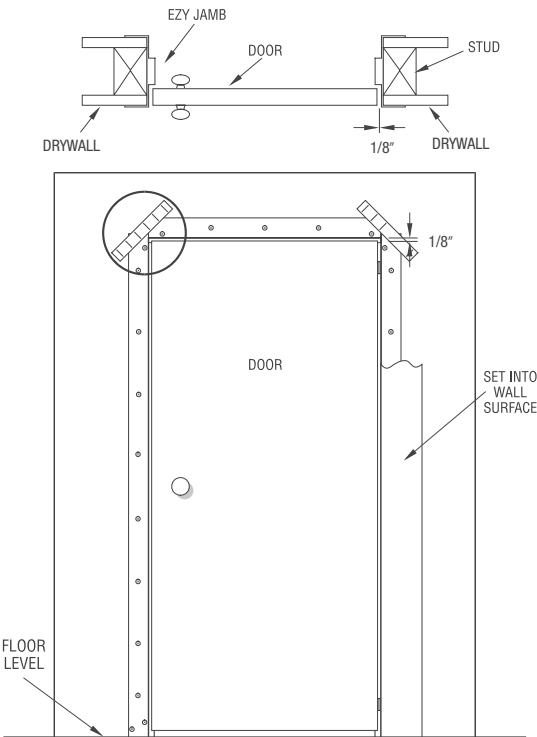


20 Gauge EzyJamb® EZC Classic Adjust Door Frame

For 1-3/8" or 1-3/4" doors

Finished Wall Thickness	3 1/2" - 8 1/8"
Invisible Type Hinges	Rocyork® RY-45
	Rocyork® RY-50
	Rocyork® RY-80
	SOSS 216 & 416
	Tectus 340
EzyJamb Surface Hinges	4" Stainless Steel (SS)
	4" Satin Chrome (SC)
	4" Polished Chrome (PC)
	4" Oil Rubbed Bronze (OB)
EzyJamb Mortise Hinges	4" x 4" Stainless Steel (SS)
Strike Options	T Strike 2-3/4"
	ASA Strike 4-7/8"
	Deadbolt 2-3/4"
Fire Rating	Up to 90 minutes

■ Custom Sizes Available On Request



INSTALLATION

The EzyJamb 20 Gauge Classic Adjust EZC Trimless door frame is simple to install, and it requires no special maintenance. The system is complemented by a range of hardware to suit different jamb applications. The completed jamb is flush finished and can be painted in with the whole wall area to fully conceal any fixing, achieving simple clean lines around the door face. The incorporation of reinforced edges overcomes the continual damage door jambs are subjected to by normal everyday use.





EZ Concept USA - New York
1700 Boulter Industrial Parkway
Webster, NY 14850
Phone: 1 888 399 5262
F: 585.545.3010
E: sales@ezconcept.com
E: quotes@ezconcept.com
E: sales@rocyork.com

EZ Concept USA - Los Angeles
5450 W 83rd Street
Los Angeles, CA 90045
(By appointment only)
E: sales@ezconcept.com
E: quotes@ezconcept.com
E: sales@rocyork.com

EZ Concept Australia - Melbourne
130 - 140 Merrindale Drive,
Croydon South, VIC 3136
Phone: (03) 9737 2500
E: sales@ezconcept.com.au
W: www.ezconcept.com.au

EZ Concept United Kingdom
Carnforth Business Park
Oakwood Way, Carnforth LA5 9FD
E: sales@concept.co.uk
W: www.ezconcept.co.uk

A Studco Innovation

