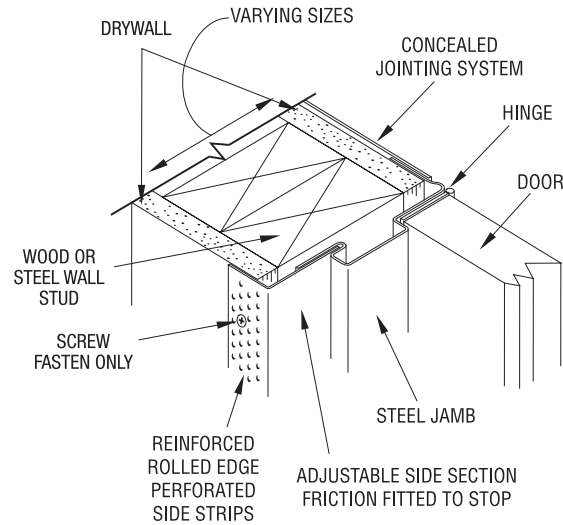
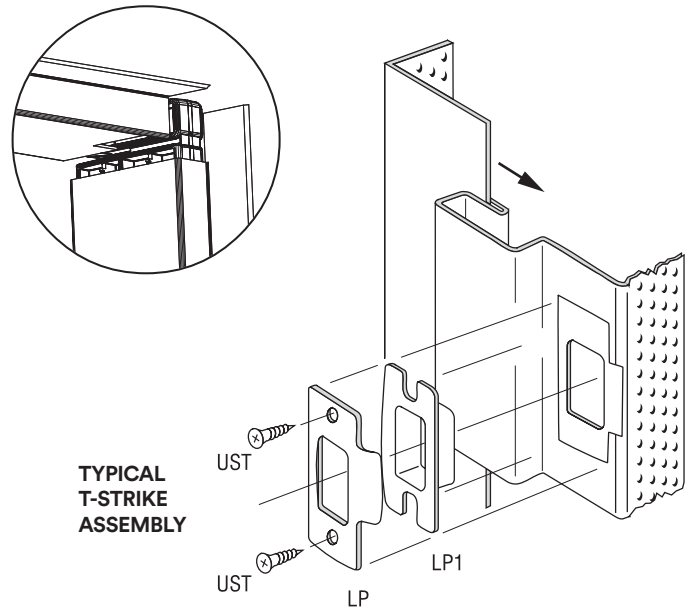


## INSTALLATION DETAIL



## TYPICAL CORNER ASSEMBLY



### Version

20 Gauge Trimless Door Frame  
(For 1-3/8" & 1-3/4" Doors)

### Strike Height

Standard Strike Height from  
bottom of frame to centreline  
For 6'8" frame 36"  
For 7'0" and 8'0" frames - 38"

### Specifications

20 Gauge galvaneal steel door frame  
adjustable for wall thicknesses 3-1/2" - 8-7/8"

### Hinges Available from Manufacturer

#### ① Invisible Hinges

- RocYork RY-45, RY-50, RY-80
- Tectus 340
- Soss 216 & 416

#### ② RocYork Surface Hinges

All standard hinges are surface applied

- 4" Stainless Steel (630)
- 4" Satin Chrome (626)
- 4" Oil Rubbed Bronze (613)

#### ③ RocYork Mortise Hinges

- 4" x 4" Stainless Steel (630)

## Strike Options

- 4-7/8" ASA Strike
- 2-3/4" T-Strike
- 2-3/4" Deadbolt Strike



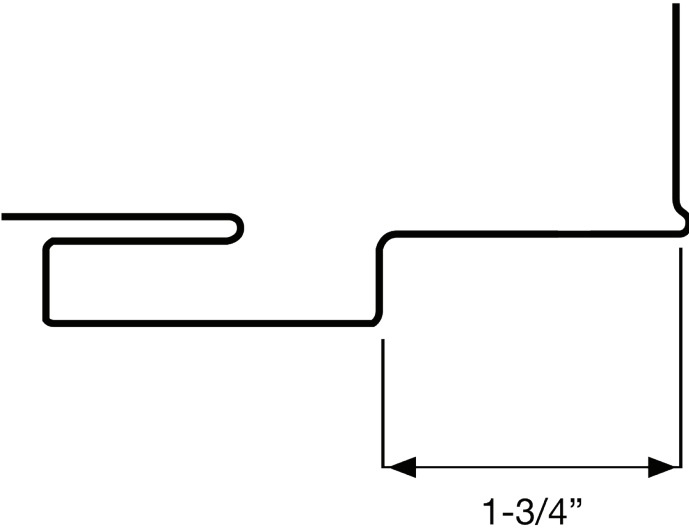
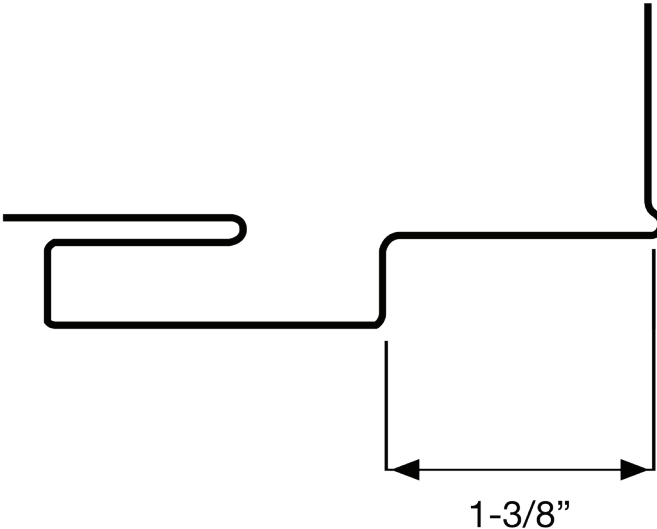
Fire Rated for up to 90 minutes

Information contained within this document supersedes all previous versions and is subject to change without notice

A Studco Innovation

For Sales and Technical Inquiries, please contact EZ Concept USA

T: 1 888 399 5262 | F: 585.545.3010 | E: sales@ezconcept.com | W: www.ezconcept.com



Information contained within this document supersedes all previous versions and is subject to change without notice

**A Studco Innovation**