

EzyJamb

Inswing Door - ISD



A Studco Innovation



 EZCONCEPT

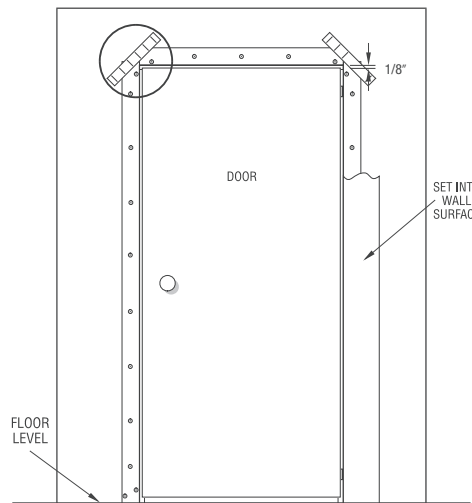
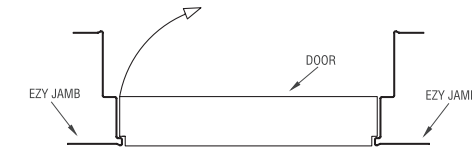
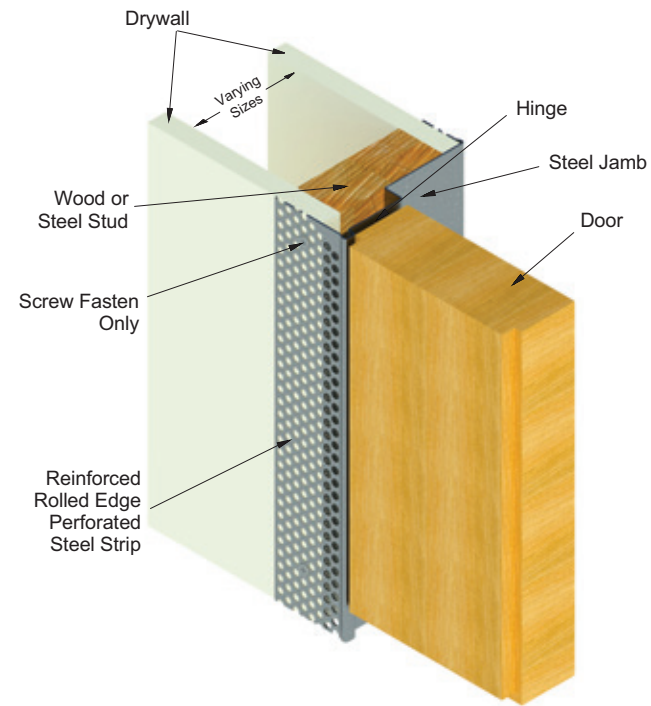
EzyJamb

Inswing Door- ISD

Achieve a premium look in hallways and corridors!

Contrary to traditional door jambs, EzyJamb® ISD allows the door to swing open into the corresponding room, but can be installed flush in line with the wall face, hiding the appearance of doors along the wall.

Take your project to the next level with the smooth finishes made possible with EzyJamb® ISD.



INSTALLATION

The EzyJamb 18 Gauge In-Swing ISD Trimless door frame is simple to install, and it requires no special maintenance. The system is complemented by a range of hardware to suit different applications. The completed jamb is flush finished and can be painted in with the whole wall area to fully conceal any fixing, achieving simple clean lines around the door face. The incorporation of reinforced edges overcomes the continual damage door jambs are subjected to by normal everyday use.



18 Gauge EzyJamb® ISD In-Swing Door Frame

For 1-3/4" and 2-1/4" doors

| | |
|------------------------------------|--|
| Finished Wall Thickness | 3 ³ / ₄ " - 9 ⁷ / ₈ " in 1/8" increments |
| Invisible Type Hinges | Rocyork® RY-80 |
| | Rocyork® RY-120 |
| | SOSS 218 |
| | Tectus 340, 540 |
| Mortise Hinges (.134 Gauge) | Ball Bearing and Spring Hinges |
| | 4-1/2" x 4-1/2" Stainless Steel |
| Mortise Hinge | 4" x 4" Stainless Steel* |
| Strike Options | T Strike 2-3/4" |
| | ASA Strike 4-7/8" |
| | Deadbolt 2-3/4" |
| Fire Rating | Pending |

*For 1-3/4" door thickness only

■ Custom Sizes Available On Request





EZ Concept USA - New York
1700 Boulter Industrial Parkway
Webster, NY 14850
Phone: 1 888 399 5262
F: 585.545.3010
E: sales@ezconcept.com
E: quotes@ezconcept.com
E: sales@rocyork.com

EZ Concept USA - Los Angeles
5450 W 83rd Street
Los Angeles, CA 90045
(By appointment only)
E: sales@ezconcept.com
E: quotes@ezconcept.com
E: sales@rocyork.com

EZ Concept Australia - Melbourne
130 - 140 Merrindale Drive,
Croydon South, VIC 3136
Phone: (03) 9737 2500
E: sales@ezconcept.com.au
W: www.ezconcept.com.au

EZ Concept United Kingdom
Carnforth Business Park
Oakwood Way, Carnforth LA5 9FD
E: sales@concept.co.uk
W: www.ezconcept.co.uk

A Studco Innovation

