

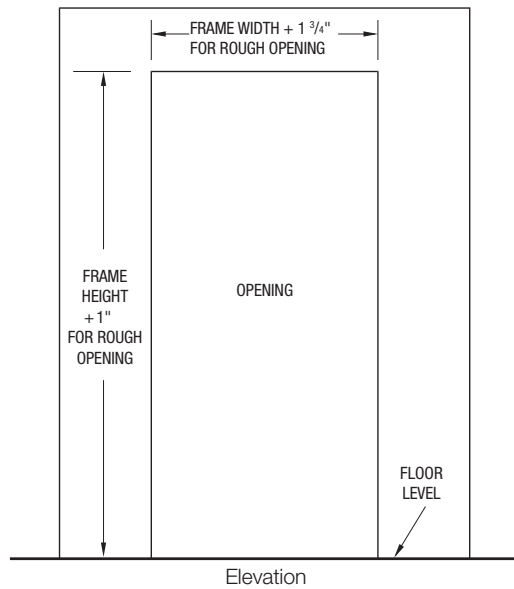
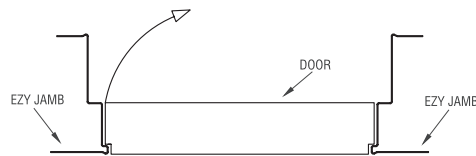
Step 1

Ensure that the rough opening is square, level, and is the correct size.

Important

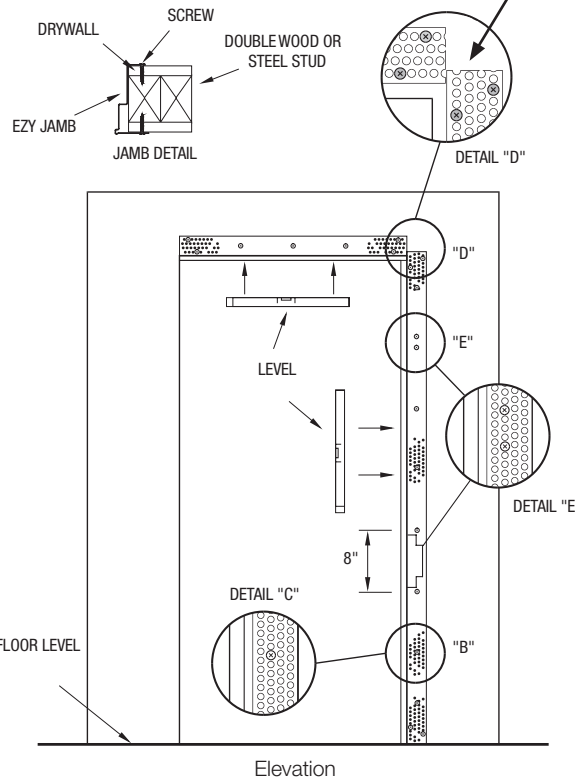
Make sure the rough opening has double studs, the manufacturer strongly recommends wood studs or a minimum 18 gauge .030 metal studs on both sides of the opening. Studco recommends double studs for this installation. When using concealed hinges, the stud must be notched at each hinge location to ensure proper fitment.

SCAN CODE TO VIEW
INSTALLATION VIDEO



Step 2

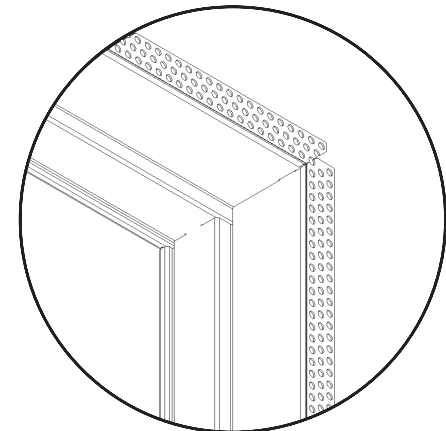
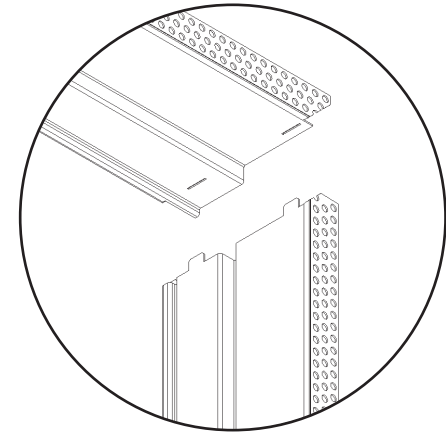
- Fasten hinge side first, making sure jamb is level and as tight against stud opening as possible.
- Then screw at 8" centers up stile, screwing back through drywall into stud jamb.
- Double screw all ends as Detail D. and beside hinge position - both above and below hinge if using concealed hinges as Detail E.



Step 2A

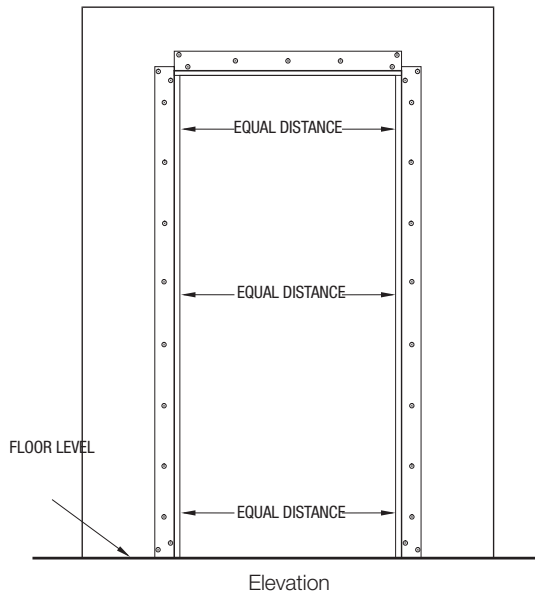
Head Installation Instructions

2A



Step 3

Fasten the final vertical section (strike jamb) below the head section. Insure that the spacing between the two vertical sections are spaced evenly at the required distance.

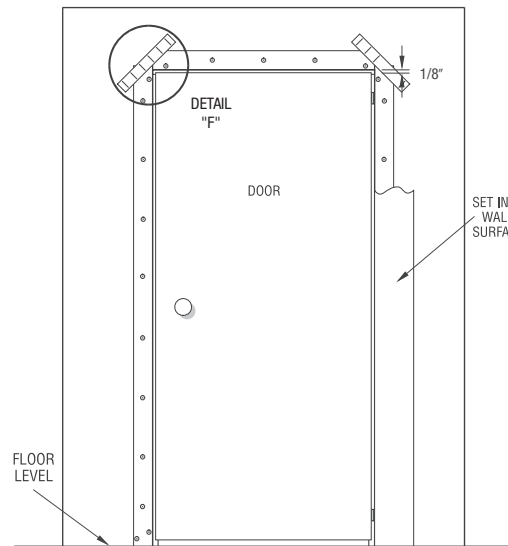
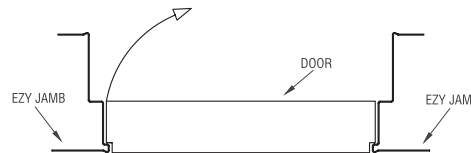


Step 4

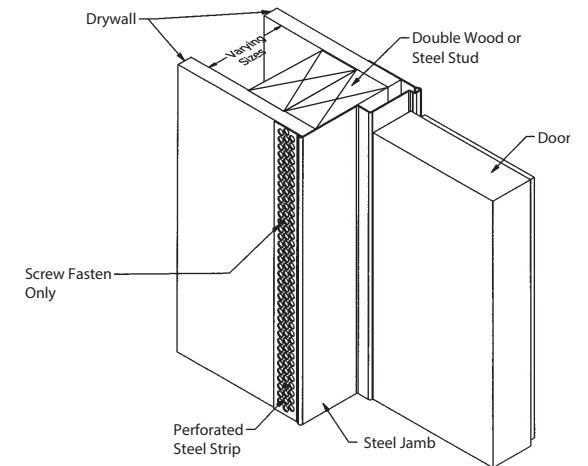
Insure the perforated side strips sit flat against the drywall to enable the jamb sections to be easily mudded into the wall surface.

All the corners must be paper taped and mudded in as Detail F.

Finish the jamb with drywall compound. Hang the door in position leaving about 1/8" clearance from the top and the hinged side using the EzyJamb Standard or Invisible Hinges. Surface mount the striker plate into position to align with the latch plate punching.



Installation Detail



A range of Invisible (Concealed), SOSS, Standard and Mortised hinges available

Refer to hinge installation instructions for correct installation and rough opening preparation.



RocYork

RocYork have a select range of functional door furniture that integrates seamlessly with all facets of the EzyJamb door system.

