

EzyJamb

Single Rabbet - SRC



A Studco Innovation



 EZCONCEPT

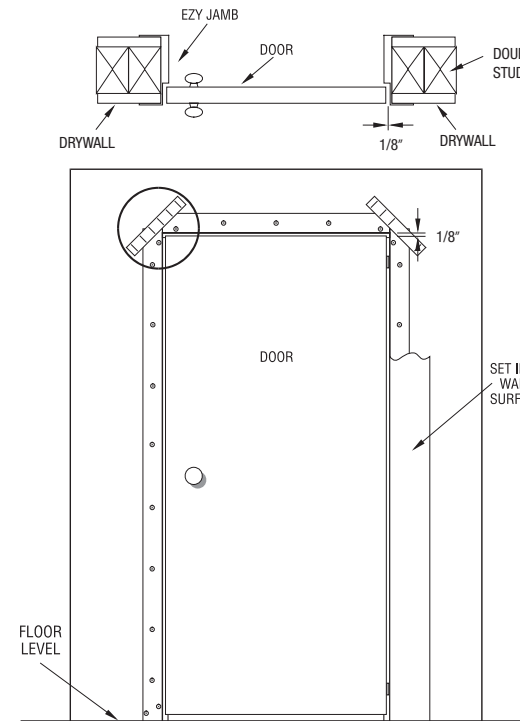
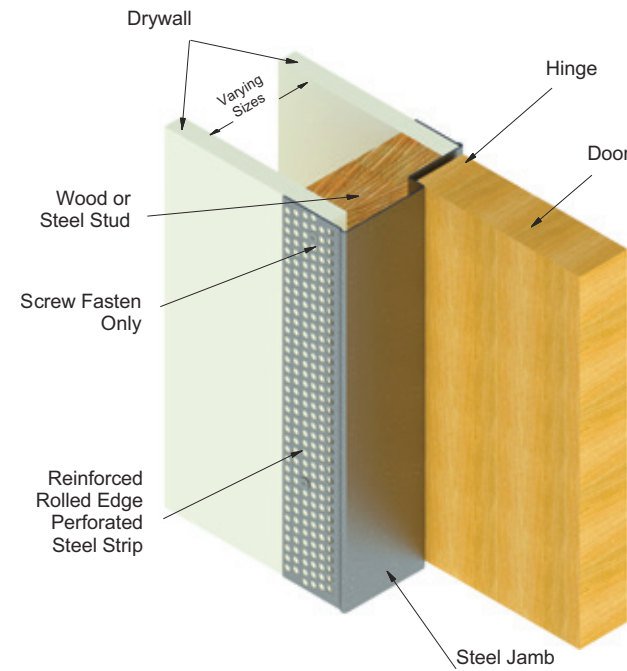
EzyJamb

Single Rabbet - SRC

Clean Lines and Flush Finishes in a defining Single Rabbet!

This trimless door jamb system allows for a seamless finish that defines a new standard in modern interiors.

The premium design of the EzyJamb® SRC provides a smooth transition from one side of the door jamb allowing a minimalistic sophistication in apartments, homes and commercial buildings.



INSTALLATION

The EzyJamb 18 Gauge Single Rabbet SRC Trimless door frame is simple to install, and it requires no special maintenance. The system is complemented by a range of hardware to suit different applications.

The completed jamb is flush finished and can be painted in with the whole wall area to fully conceal any fixing, achieving simple clean lines around the door face. The incorporation of reinforced edges overcomes the continual damage door jambs are subjected to by normal everyday use.



18 Gauge EzyJamb® SRC Single Rabbet Door Frame For 1-3/4" and 2-1/4" doors

Finished Wall Thickness	3 3/4" - 9 7/8" in 1/8" increments
Invisible Type Hinges	Rocyork® RY-50
	Rocyork® RY-80
	Rocyork® RY-120
	SOSS 216, 218, 416, 418
	Tectus 340, 527, 540
Mortise Hinges (.134 Gauge)	Ball Bearing and Spring Hinges
	4-1/2" x 4-1/2" Stainless Steel
Strike Options	T Strike 2-3/4"
	ASA Strike 4-7/8"
	Deadbolt 2-3/4"
Fire Rating	Up to 90 minutes

■ Custom Sizes Available On Request





EZ Concept USA - New York
1700 Boulter Industrial Parkway
Webster, NY 14850
Phone: 1 888 399 5262
F: 585.545.3010
E: sales@ezconcept.com
E: quotes@ezconcept.com
E: sales@rocyork.com

EZ Concept USA - Los Angeles
5450 W 83rd Street
Los Angeles, CA 90045
(By appointment only)
E: sales@ezconcept.com
E: quotes@ezconcept.com
E: sales@rocyork.com

EZ Concept Australia - Melbourne
130 - 140 Merrindale Drive,
Croydon South, VIC 3136
Phone: (03) 9737 2500
E: sales@ezconcept.com.au
W: www.ezconcept.com.au

EZ Concept United Kingdom
Carnforth Business Park
Oakwood Way, Carnforth LA5 9FD
E: sales@concept.co.uk
W: www.ezconcept.co.uk

A Studco Innovation

