

Version

18 Gauge Single Rabbet Door Frame
(For 1-3/4" & 2-1/4" Doors)

Strike Height

Standard Strike Height from
bottom of frame to centreline
For 6'8" frame 36"
For 7'0" and 8'0" frames - 38"

Specifications

18 Gauge galvaneal steel door frame for wall thick-
nesses from 3-3/4" - 9-7/8" in 1/8" increments

Hinges Available from Manufacturer

① Invisible Hinges

- RocYork RY-45, RY-50, RY-80, RY-120
- Tectus 340, 527, 540
- Soss 216, 218, 416, 418

② RocYork Mortise Hinges (.134)

- 4-1/2" x 4-1/2" Stainless Steel (630)

Strike Options

- 4-7/8" ASA Strike
- 2-3/4" T-Strike
- 2-3/4" Deadbolt Strike



Fire Rated for up to
90 minutes

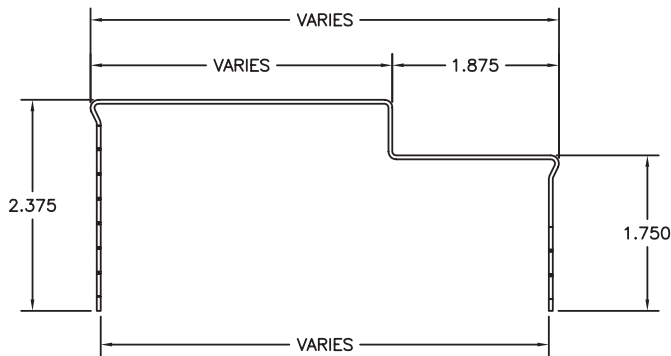
Information contained within this document supersedes all previous versions and is subject to change without notice

A Studco Innovation

For Sales and Technical Inquiries, please contact EZ Concept USA

T: 1 888 399 5262 | F: 585.545.3010 | E: sales@ezconcept.com | W: www.ezconcept.com

1-3/4"



2-1/4"

