



 EZCONCEPT

EzyJamb

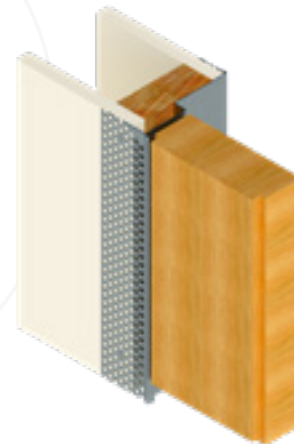
ISD | Inswing Door Frame



EzyJamb

ISD | Inswing Door Frame

EzyJamb Inswing Door - ISD is the ultimate door jamb system to achieve a seamless look in hallways and corridors. The EzyJamb ISD frame is suitable for applications that require the door to open inwardly from the flush side of the door, for a clean line along the wall face. The completed jamb is flush finished and can be painted in with the whole wall area to fully conceal any fixing and is available with various hinge options.

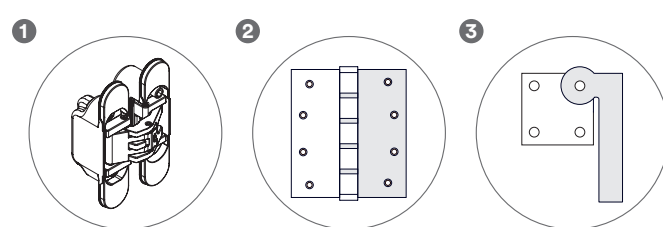


Product Details

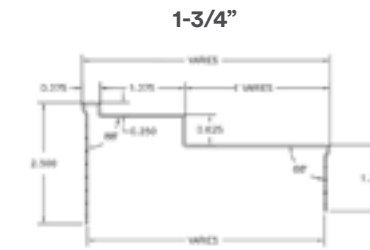
EZYJAMB ISD INSWING DOOR FRAME - FOR 1-3/4 AND 2-1/4 DOORS

Material	18ga Galvanneal		
Max Width	3'-6" (Single)	6-0' (Double)	(Custom sizes available on request)
Max Height	10-0' (Custom sizes available on request)		
Wall Throat	3-3/4" - 9-7/8" in 1/8" increments		(Custom sizes available on request)
Fire Rating	Pending		

- Hinge Options
- 1 Concealed Hinges
 - 2 Mortise Hinges
 - 3 Pivot Hinges

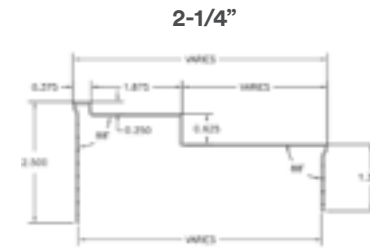


Preparation Options



Strike Options
T-Strike
ASA Strike
DeadBolt

Hinge Options
4" Mortise Hinge (8'0" Max Height)
RocYork RY-60 (7'0" Max Height)



Strike Options
T-Strike
ASA Strike
DeadBolt
HES 8300 Electrical Strike

Pivot Options
Rixson Top Pivot 180
Rixson Intermediate Pivot M19
ABH Top Pivot 018
ABH Intermediate Pivot 019

Hinge Options
4-1/2" Mortise Hinge
RocYork RY-80 / RY-120
Soss 218 / 418
Tectus 340 / 540

Closer Options
LCN 3130
Dorma ITS96
RocYork RYCC60950

Power Switch
EPT Power Transfer
Door Position Switch

Specification Details

- Frame Type
- Door Thickness
- Frame Width
- Frame Height
- Finished Wall Thickness
- Fire Rating
- Strike Type
- Strike Height
- Frame Handing
- Hinge Type
- Hinge Quantity

EX. ISD - 2.25 - 3-0' - 7-0' - 4-7/8 - N/A - ASA-38" - RH - RY80 - 3

Availability

- All EzyJamb, CavKit and SlideSet products are made to order.
- Lead times apply to all EzyJamb, CavKit and SlideSet orders. Typical lead time from date of order to date of delivery is 15-20 working days. Longer lead times may apply in some cases. Always confirm exact lead time with EZ Concept prior to placing order.
- All orders are accepted by EZ Concept on a FIFO basis (first in, first out). For urgent orders, please refer to the point below.

Expedited Orders

- For urgent orders, manufacturing processes can be expedited on request. Expedited orders can be dispatched within 7-10 working days from receipt of order. A minimum charge of \$150 or 40% total order cost, whichever is greater is applicable to expedited orders.
- Expedition of EzyJamb, CavKit and SlideSet orders is not always possible and is subject to operational requirements. Always confirm exact lead time with EZ Concept prior to placing order.

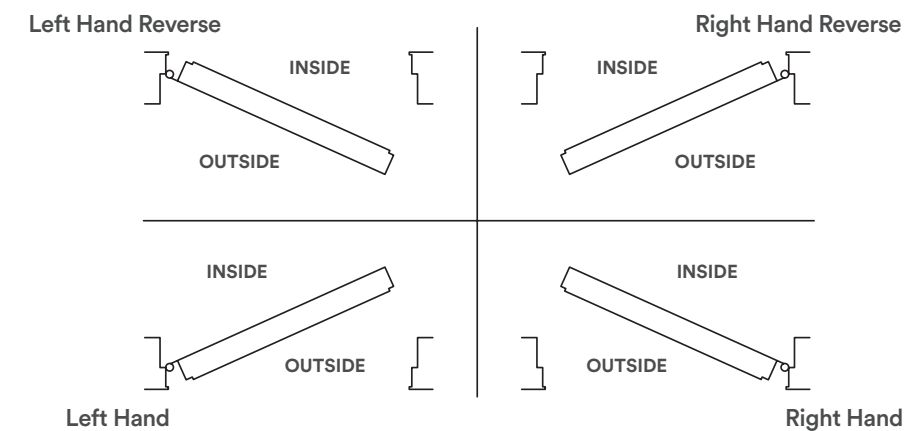
Floor to Ceiling Doors

- Floors to ceiling doors require no header jamb as the door extends the total height of the wall, when framing for this type of application allow the ceiling framing and drywall to carry on through to the adjacent space.

Custom Door Sizes

- Custom size EzyJamb, CavKit and SlideSet products are available on request. Longer lead times and additional charges may apply for custom sizes. Custom latch plate punching is available on request.

North America Door Handing



i Hand all doors by standing outside and facing the door.

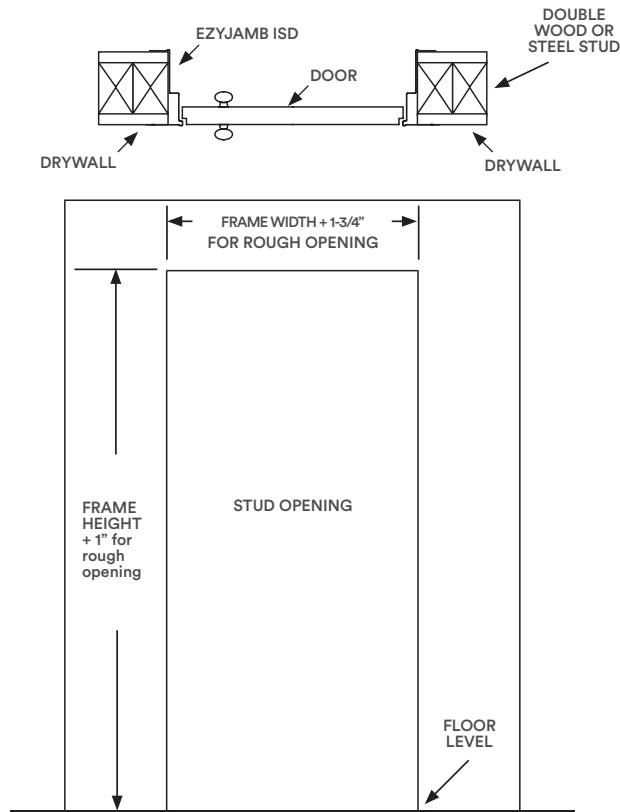
EzyJamb | ISD Inswing Door Frame
Installation Instructions

Step 1

Ensure that the stud opening is square and level and is the correct size.

Make sure the rough opening has double studs, the manufacturer strongly recommends wood studs or a minimum 18 gauge .030 metal studs on both sides of the opening. Studco recommends double studs for this installation.

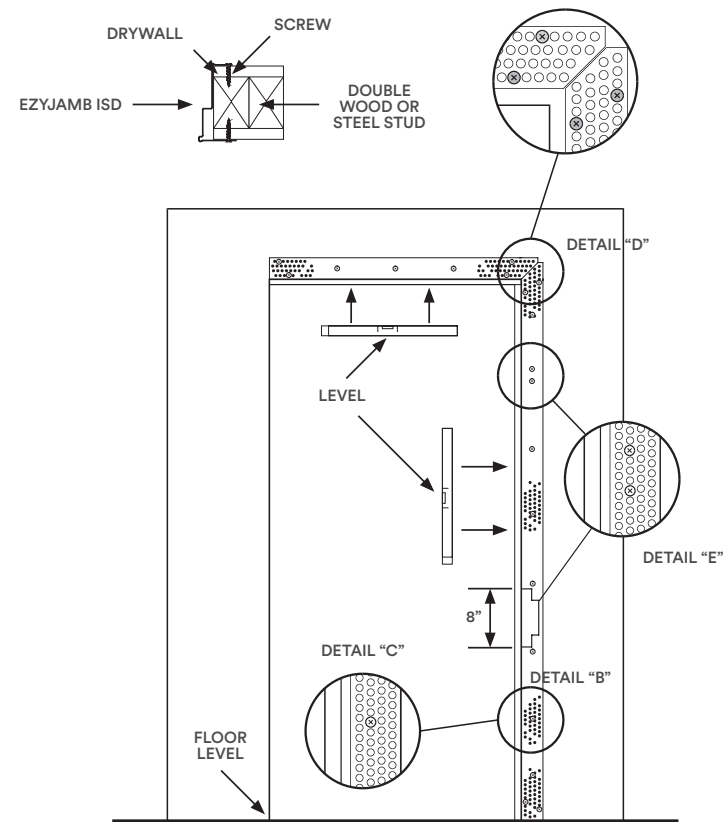
i When using concealed hinges, the stud must be **notched** at each hinge location to ensure proper fitment.



Step 2

Fasten hinge side first, making sure jamb is level and as tight against stud opening as possible. Then screw at 8" centers up stile, screwing back through drywall into stud jamb. See *Detail 'B'* and *'C'*.

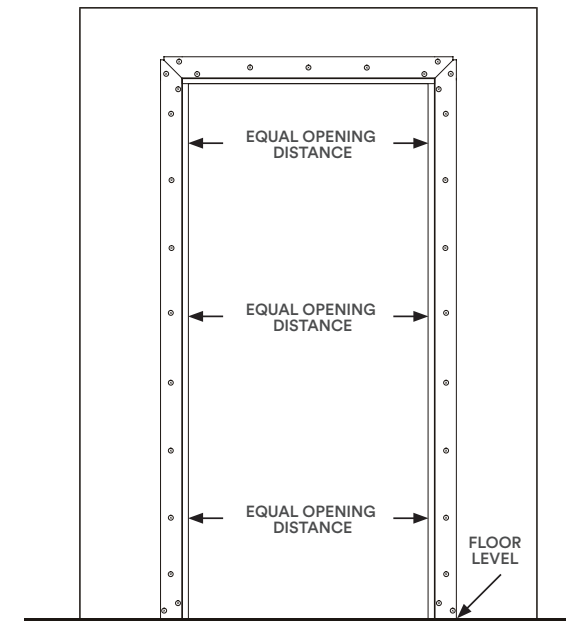
Double screw all ends as *Detail D*, and beside hinge position - both above and below hinge if using concealed hinges as *Detail E*.



EzyJamb | ISD Inswing Door Frame
Installation Instructions

Step 3

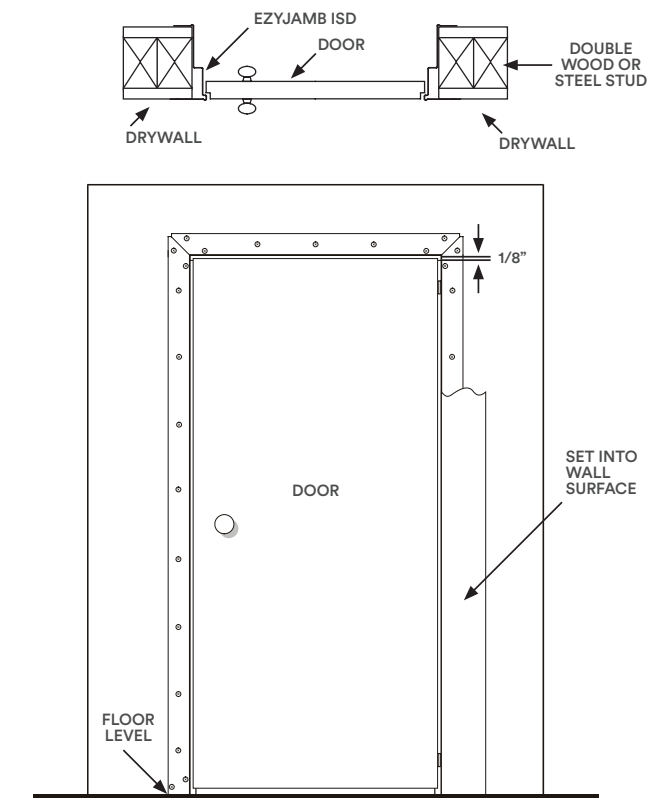
Fasten the final vertical section (strike jamb) below the head section. Ensure that the spacing between the two vertical sections are spaced evenly at the required distance.



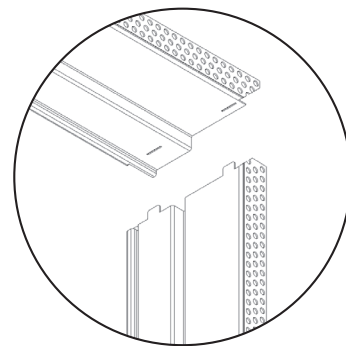
Step 4

Ensure the perforated side strips sit flat against the drywall to enable the jamb sections to be easily set into the wall surface. Finish the jamb with drywall compound.

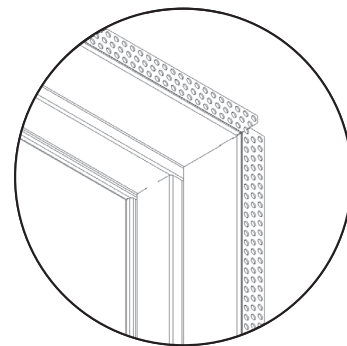
Hang the door in position leaving 1/8" clearance from the top and the hinged side using the EzyJamb Standard or Invisible Hinges. Install the striker plate into position to align with the latch plate punching.



Step 2A | Head Installation



Locate fixing tabs to header.



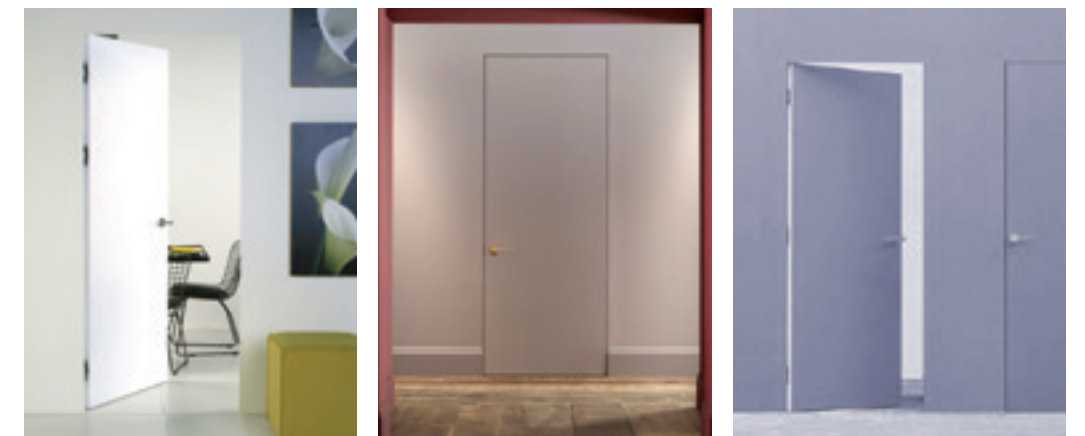
Double screw all ends as Detail D.

Completed Installation

The completed jamb is flush finished and can be painted in with the whole wall area to fully conceal any fixing, achieving simple clean lines around the door face.

For further information or assistance in installation of EzyJamb products, please visit:

www.ezconcept.com/installation



For Sales and Technical Enquiries, please contact EZ Concept USA.

T: 1888 399 5262
W: www.ezconcept.com
E: sales@ezconcept.com

Head Office - Rochester
1700 Boulter Industrial Parkway,
Webster, NY 14580

Los Angeles Office
5450 W 83rd Street
Los Angeles, CA 90045

