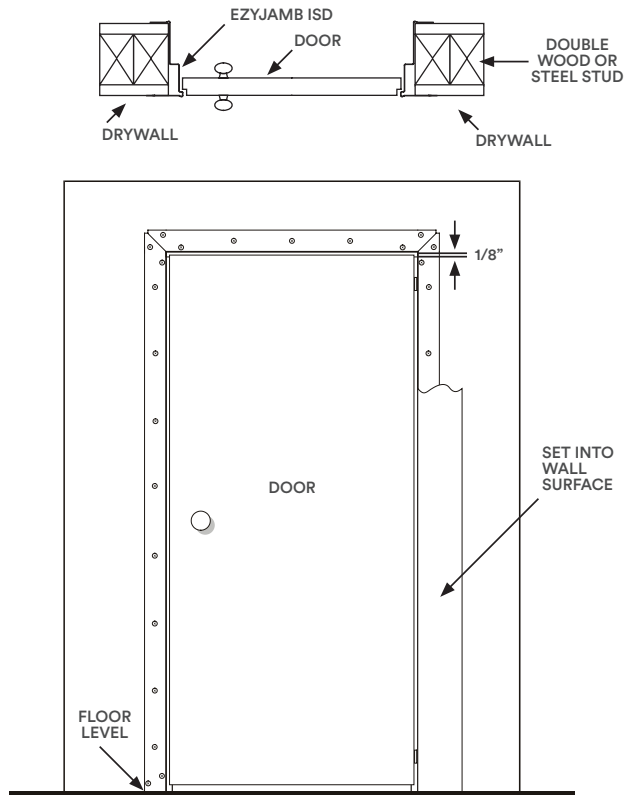
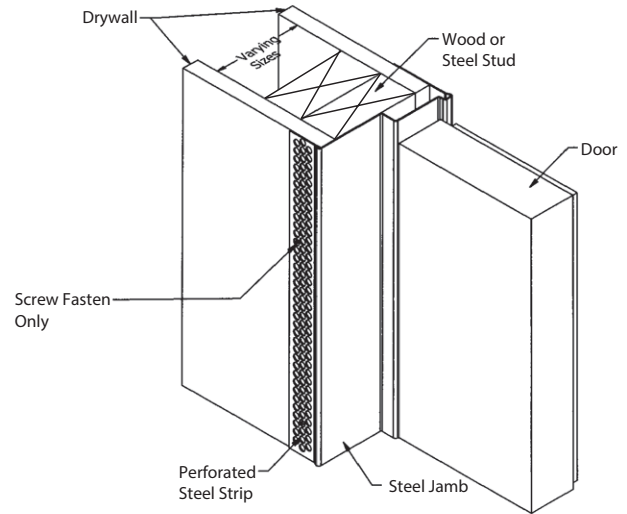


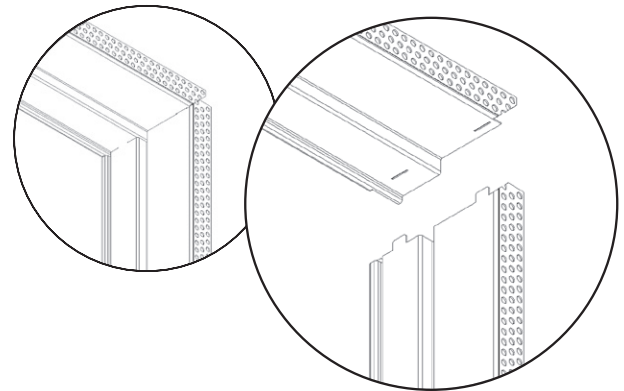
# Product Datasheet



## Installation Detail



## Typical Corner Assembly



## Specification Details

### EzyJamb ISD Inswing Door 18 Gauge Door Frame (For 1-3/4" & 2-1/4" Doors)

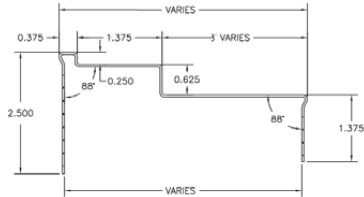
Strike Height	Standard Strike Height from bottom of frame to centreline	For 6'8" frame 36"	For 7'0" and 8'0" frames - 38"
Specifications	18 Gauge galvaneal steel door frame for wall thicknesses	3-3/4" - 9-7/8" in 1/8" increments	
Hinge Options	<b>Invisible Hinges</b>	<b>Mortise Hinges (.134)</b>	
	RocYork RY-80, RY-120	4-1/2" x 4-1/2" Stainless Steel (630)	<b>Mortise Hinges</b>
	Tectus 340, 540		4" x 4" Stainless Steel (630)
	Soss 218		*For 1-3/4" door thickness only

Information contained within this document supersedes all previous versions and is subject to change without notice.

# Product Datasheet

## Preparation Options

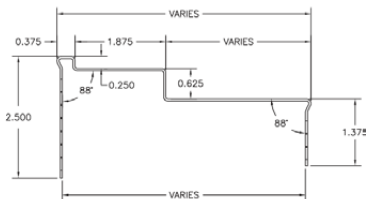
1-3/4"



**Strike Options**  
T-Strike  
ASA Strike  
DeadBolt

**Hinge Options**  
4" Mortise Hinge  
RocYork RY-60

2-1/4"



**Strike Options**  
T-Strike  
ASA Strike  
Flushbolt  
DeadBolt  
HES 8300 Electrical Strike

**Pivot Options**  
Rixson Top Pivot 180  
Rixson Intermediate Pivot M19  
ABH Top Pivot 018  
ABH Intermediate Pivot 019

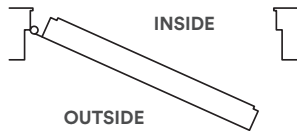
**Hinge Options**  
4-1/2" Mortise Hinge  
RocYork RY-80 / RY-120  
Soss 218 / 418  
Tectus 340 / 540

**Closer Options**  
LCN 3130  
Dorma ITS96  
RocYork RYCC60950

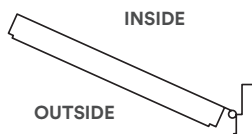
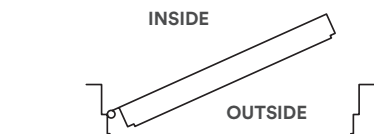
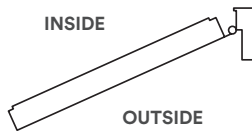
**Power Switch**  
EPT Power Transfer  
Door Position Switch

## North America Door Handing

Left Hand Reverse



Right Hand Reverse



Left Hand

Right Hand

**i** Hand all doors by standing outside and facing the door.